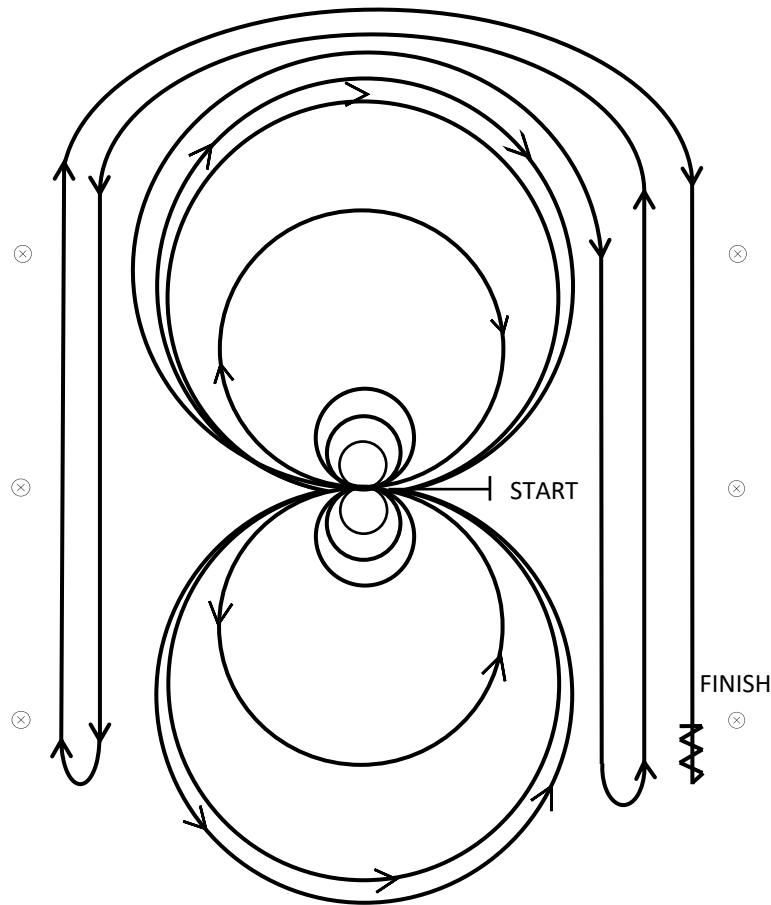


PATTERN C



Horses may walk or jog to the center of the arena. Horses must walk or stop prior to starting the pattern. Beginning at the center of the arena facing the left wall or fence.

1. Beginning on the right lead, complete three circles to the right: the first two circles large; the third circle small. Stop at the center of the arena. Hesitate.
2. Complete three spins to the right. Hesitate.
3. Beginning on the left lead, complete three circles to the left: the first two circles large; the third circle small. Stop at the center of the arena. Hesitate.
4. Complete three spins to the left. Hesitate.
5. Beginning on the right lead, go around the end of the arena, run down the right side of the arena past the center marker. Stop and roll back left.
6. Continue around the end of the arena to run down the left side of the arena past the center marker. Stop and roll back right.
7. Continue around the end of the arena to run down the right side of arena past the center marker. Stop. Back up. Hesitate to demonstrate competition of the pattern.